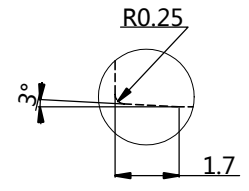
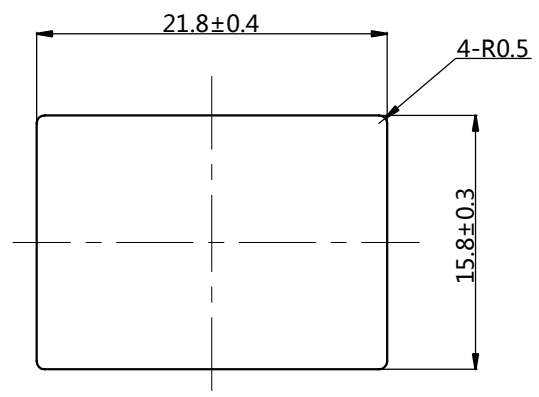
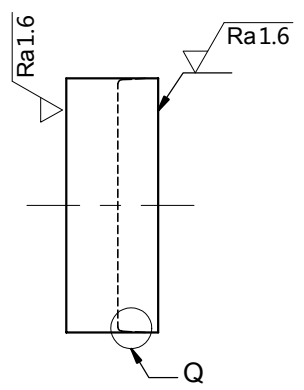
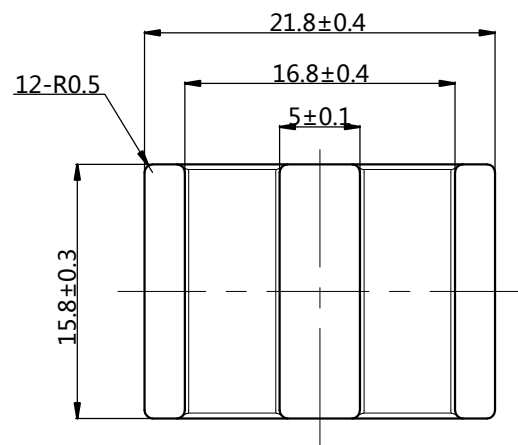
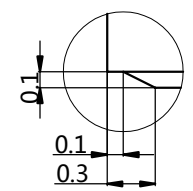
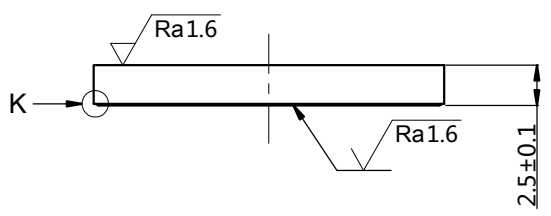
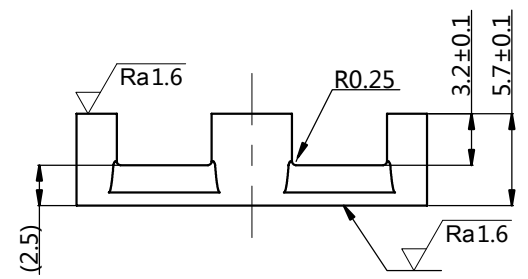


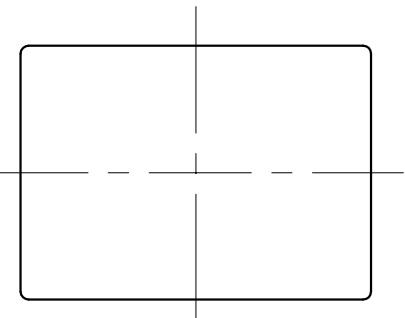
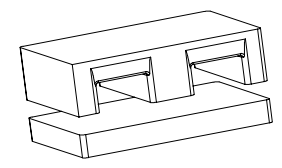
REVISION HISTORY			
Rev	DESCRIPTION	DATE	APPROVED



Detail Q



Detail K



	Scale	Material	Customer Part number	
	2 : 1		E22/6/16 & PLT22/16/2.5	
Unit:	Standard tolerances	Product Name		
mm	±0.15	EI-21.8-8.2-15.8		
Approved by	Created by	Document type	Rev	Drawing No.
Y.Higuchi	Z.zhang	Production drawing	00	PY170215M01
Hitachi Metals (Hong kong) Ltd. Panyu Factory			Date of issue	Sheet
			Feb 15 2017	1/1